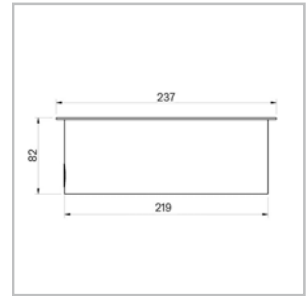
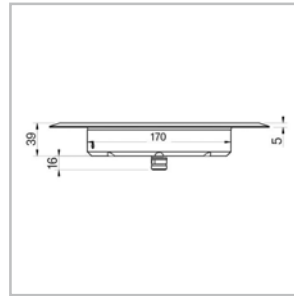
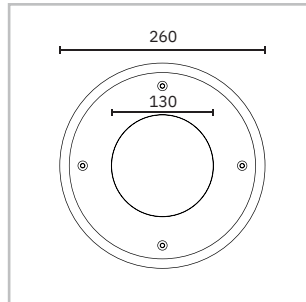


ORPHIE



Monochrome constant voltage

	2700°K	3000°K	4000°K	6000°K	Rouge	Vert	Bleu	Ambre
Power supply	@ 12VDC - 500 mA							
Power	90W							
Initial flow (lm)	7000							
Average LED lifespan	L90 B10 60000h							
Connection	Parallel**							
Cable	3x0.5mm ² - 5m resin-coated							
Code	Inox 316L Electropoli : OP00203							

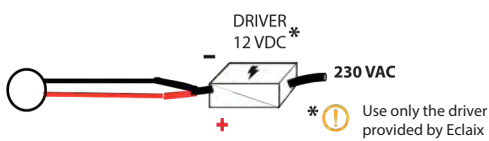
Option

Sealing Sheath	OP600
ACS food cable	CABLE 05
Custom cable	on request
Anti-electrolysis hubcap	on request
End of sheath cable gland	CABLE GLAND
Flexible sheath	SHEATH
Soft diffusion - sandblasted glass	OP605

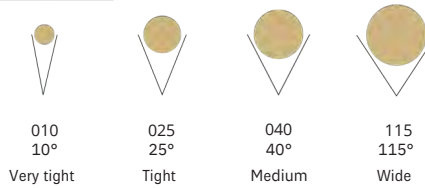
Dynamique

	RGBW	Blanc dynamique
Power supply	700mA*	
Power	120W max	
Initial flow (lm)		
Average LED lifespan	L90 B10 60000h	
Connection	Serie	
Cable	9x0.22mm ² - 5m resin-coated	
Code	OP30252Z	OP30275X

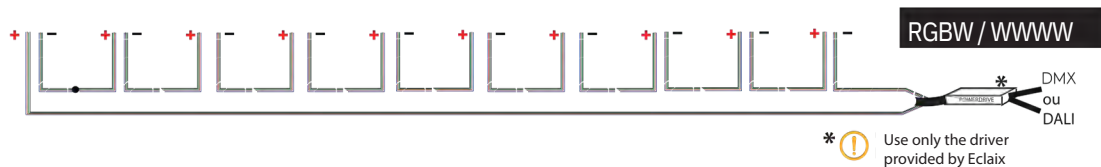
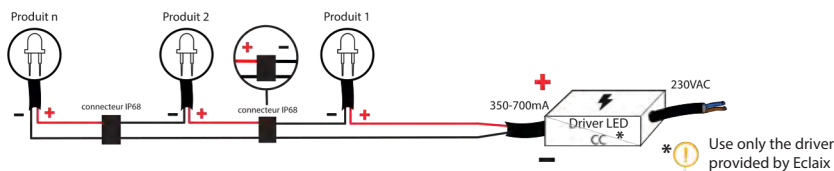
12VDC wiring



Angle



série 700 mA wiring

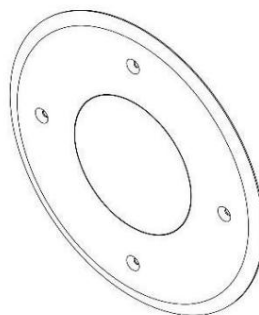


(*) Works only with a safety transformer
(**) See installation manual

Groupe SFECCI - 1120 Route de la Grave - 06440 L'escarène
Tél. 04 93 62 45 50 - Siret : 333 158 178 00025

can only be used underwater at a maximum temperature of 40°

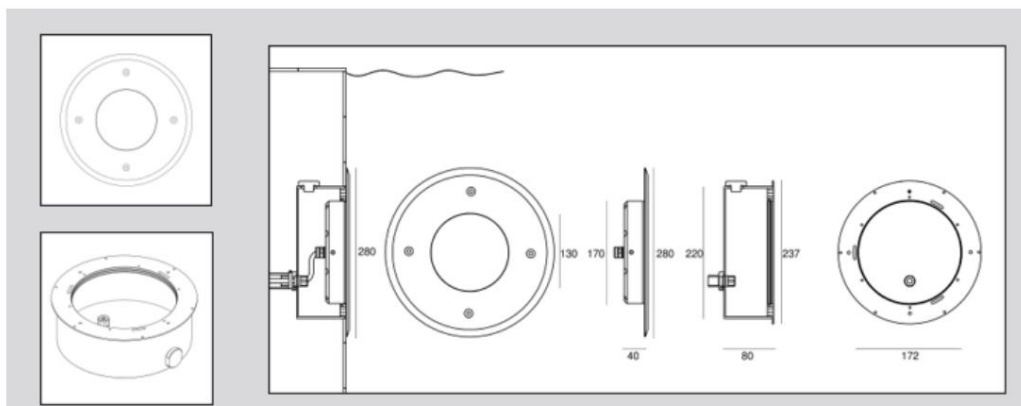
INSTALLATION INSTRUCTIONS / MANUAL



ORPHIE

ORPHIE recessed spotlight

Recessed-Spotlight



1. Application

Recessed spotlight for lighting and staging in swimming pools, jacuzzis, fountains, or aquatic features. This spotlight is suitable for use up to a depth of 20m.

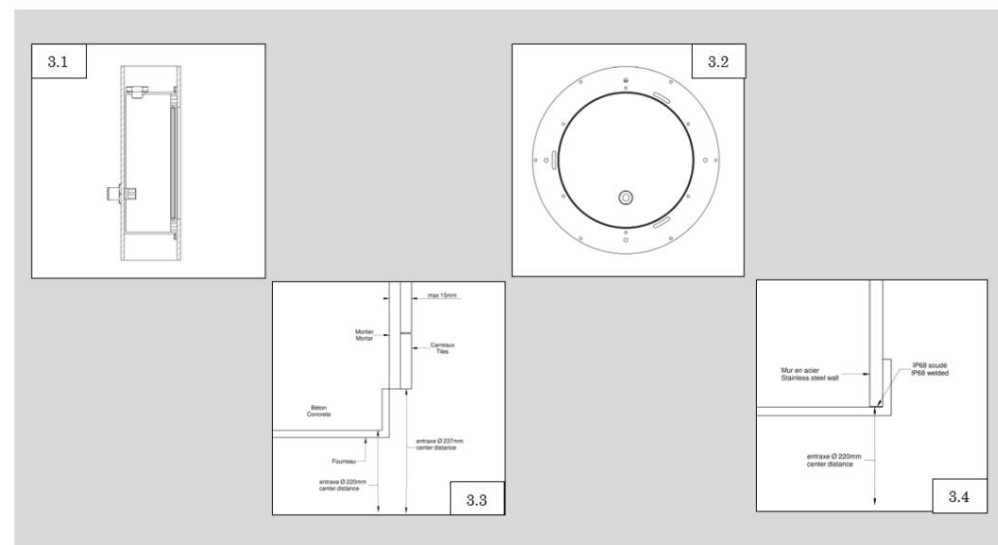
Construction entirely made of electropolished 316L stainless steel. The projector can be used in fresh water, chlorinated water, and salt water. It is important to protect the projector from frost, and the water used must be free of elements that are aggressive to metals. The flush-mounting box is required for installation and must be selected according to the type of mounting. Accessories (power supplies, etc.) are available as options.

Attention!

This spotlight only works underwater up to a maximum water temperature of 40°C. The connected cables must not be removed or shortened. The standard cable length is 5 m, please specify the desired length when requesting a quote. It is strongly recommended not to make cable connections in the flush-mounted box or cable duct. It is recommended to use a surge unit and an isolation transformer for the entire technical lighting installation to ensure adequate electrical isolation (protective isolation). During installation, ensure sufficient protection against electrostatic discharge.

2. Technical characteristics/Construction

- IP68 protection rating – up to a depth of 20 m
- Complete in 316L stainless steel
- Round hubcap in 316L stainless steel, 2.5 mm thick
- Multichip POW-LED RGBW 700 mA
- Multichip POW-LED dynamic white 700 mA
- Multichip POW-LED 12VDC – 2700K / 3000K / 4000K / 6500K
- Operating mode: @12 VDC - 500 mA
- Voltage limiter
- Broad rotational symmetry light scattering
- Cable gland, 316L stainless steel
- DC power supply/External RGBW controller
- LED and 5 m submersible cables (standard) included in delivery
- Flush-mounted box to be ordered separately!



3. Installation/Assembly

Comply with applicable national safety regulations. We assume no liability for improper use or installation. We also disclaim any liability for modifications made to the luminaires.

Mounting options for the spotlight in conjunction with the matching recessed housing made of electropolished 316L stainless steel for installation in the wall or floor of tiled concrete pools (max. tile/mortar height 15 mm).

Installation in concrete basins

Position and fix the flush -mounting box on the rear formwork (earth side) according to the markings shown. It is essential to maintain precise alignment, as shown in diagram (3.2), between the flush-mounting box and the formwork wall, for the subsequent installation of the projector. If necessary, ensure that the outer base is sealed, for example by using silicone to prevent dirt from entering the flush-mounting boxes. Fix the plastic end cap to the rear formwork. Check that the flush-mounting box, the cable protection sleeve with clamps, and the plastic end cap are correctly fixed. (3.1/3.2)

After concreting the pool and removing the formwork, apply the mortar and lay the tiles so that they extend up to the maximum internal diameter (Ø60 mm) of the recessed box. Ensure that the height of the mortar and tiles does not exceed 15 mm (3.3).

Installation in stainless steel pools Determine the position of the spotlights and cut a corresponding opening with a diameter of 54 mm in the pool wall. Position and fix the flush-mounted box according to the markings shown. Fix the plastic end cap to the end of the cable protection sheath. It is essential to maintain precise alignment, as shown in diagram (3.2), between the flush-mounted box and the formwork wall, for subsequent installation of the spotlight.

Check that the flush-mounted box, the cable protection sleeve with clamps, and the plastic end cap are properly secured.

Weld the housing to the pool wall to ensure watertightness and achieve protection rating IP68 (3.4).

Installation in pools with glued coating/liner

Position and fix the flush-mounted housing with the adhesive flange on the front formwork (water side) according to the markings shown. The precise alignment (according to diagram 3.2.) of the flush-mounted housing on the formwork wall must be observed for subsequent installation of the spotlight. If necessary, seal the outer base, e.g. with silicone, to prevent dirt from entering the flush-mounted housing.

Attach the plastic end cap to the rear formwork. 3.1. Check that the flush-mounted box, the cable protection sleeve with clamps, and the plastic end cap are securely fastened. After concreting the pool and removing the formwork, lay the bonded liner up to the inner edge of the flush-mounted box. Please do not use the bonding foil on the fixing holes. If necessary, the bonding flange must be pre-treated to improve adhesion. This information can be found in the instructions for use for the material used. 3.5.

Projector Mounting

Insert the underwater cable into the internal cable connection of the flush-mounted box, into the cable protection sheath, and wind approximately 150 mm of cable into the flush-mounted box. Tighten the cable gland firmly to seal the cable (3.6). Fill the pool until the sheath is submerged and insert the ORPHIE into the flush-mounted box, until the ORPHIE seal stops.

Caution : Use only factory-connected cables. Indicate the desired cable length when ordering. Connect the individual conductors to the power supply units as specified. (3.5)

For the maximum number of projectors and connection type, see the manual for the corresponding power supply unit.

4. General maintenance instructions

- When cleaning, the projector must not come into contact with detergents that are aggressive against metals. The use of hydrochloric acid-based detergent on and near stainless steel projector parts is completely prohibited.
- Clean the projector and mounting box regularly to avoid any oxidation deposits.
- Caution: Do not use a high-pressure cleaner
- Caution: Protect the projectors from frost; if necessary, dismantle them or provide special protection.
- Depending on the load (power, environmental circumstances), it is recommended to change the glass seals and the cable every 5 to 8 years.

5. Warranty conditions

Our warranty conditions can be found on the corresponding product warranty card and under <https://www.eclairx.com>

6. Important Notes (The Warranty is void if the following points are not complied with)

- The absence of transport damage must be checked before installation.
- All assembly and installation work, as well as electrical work, must be carried out by qualified personnel.
- To avoid any danger, a damaged external flexible cable of the projector can only be replaced by the manufacturer, its service representative or a qualified specialist recognized by ECLAIX.
- The light source of this luminaire can only be replaced by the manufacturer or a qualified technician recognized by ECLAIX.
- To avoid rust deposits, use only stainless steel tools.
- The NEMO cable length must be chosen so that it is not necessary to extend it in water or a humid environment. Any subsequent claims on this basis will not be accepted.
- Only original ECLAIX equipment must be used.
- A mounting distance of 15 cm between the equipment is strongly recommended to avoid mutual heating.
- The equipment must be connected without current, otherwise discharges in the power supply could cause damage to the LEDs. No primary voltage must be established when changing the LEDs.
- Please observe measures against electrostatic discharge during all work on projectors, equipment and LEDs.

