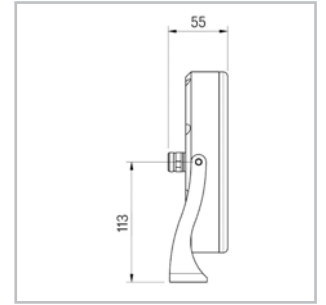
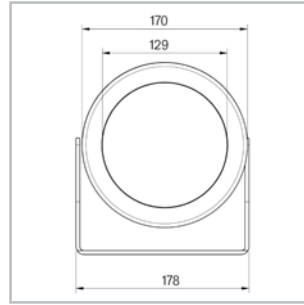


BALISTE



Monochrome constant voltage

	2700°K	3000°K	4000°K	6000°K
Power supply	@12VDC - 500mA			
Power	60W			
Initial flow (lm)	7000			
Average LED lifespan	L90 B10 60000h			
Connection	Parallel**			
Cable	3x0.5mm ² - 5m resin-coated			
Code	Inox 316L Electropoli : BI00203			

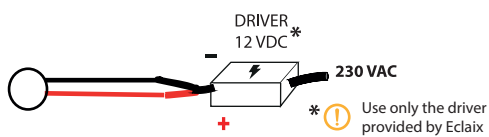
Option

ACS alimentation cable	CABLE05
Custom cable	On request
Soft diffusion sandblasted glass	BI605

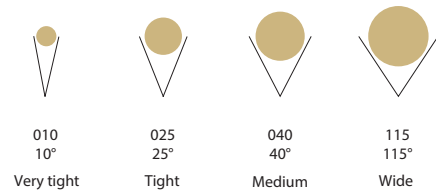
Dynamique

	RGBW (4000k)	RGBW (3000k)	Blanc dynamique
Power supply	700mA*		
Power	120W max		
Initial flow (lm)			
Average LED lifespan	L90 B10 60000h		
Connection	Serie**		
Cable	9x0.22mm ² - 5m resin-coated		
Code	OP30252Z	OP30260W	OP30275X

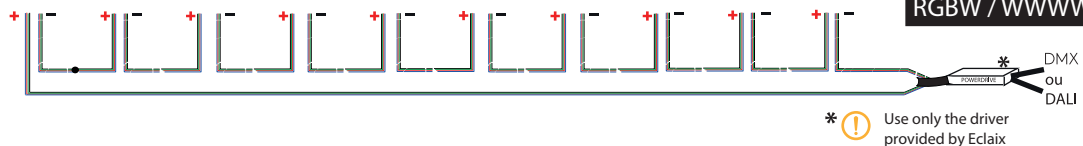
12VDC wiring



Angle



RGBW / WWWW



Grpue SFECCI - 1120 Route de la Grave - 06440 L'escarène
Tél. 04 93 62 45 50 - Siret : 333 158 178 00025



can only be used underwater at a maximum temperature of 40°

(*) Works only with a safety transformer
(**) See installation manual

INSTALLATION INSTRUCTIONS / MANUAL

BALISTE

Lyre spotlight

Lyre-mounted spotlight, suitable for outdoor and underwater use, perfect for illuminating fountains, water features, facades, sculptures or for creating lighting effects. Special solutions can be made on request. When used underwater, the spotlight must be protected against frost. When planning underwater lighting installations, it is important to note that light intensity decreases with water turbidity. The spotlight's specifications are always based on outdoor installation.

Observe the applicable national safety regulations. We assume no liability for improper use or installation. We are also not responsible for modifications made to the luminaires. For operation, POW-LED spotlights must always be connected in series to a suitable DC power supply (see power supplies). Do not disassemble the spotlight housings, as the cables and the POW-LED board are sealed.

The projector can be mounted on various surfaces, both outdoors and underwater. The projector can be mounted directly onto concrete, paving stones, slabs, wooden slats, or in conjunction with a stake, gravel, green spaces, or flowerbeds. Given the variety of integration situations in different projects, we cannot provide general installation instructions.

The pictograms illustrate typical assembly examples.

3.1. Wall mounting the projector on a solid support.

3.2. Wall mounting the projector with a grounding rod on an unconsolidated support.

Assembly

When surface mounting the spotlight on a solid surface, e.g. concrete, stone slabs, wood and facades, open the side screws and remove the spotlight from its bracket. Align the bracket towards the object and fix it to the surface using the stainless steel screws.

Caution: Use only factory-terminated cables. Specify the desired cable length when ordering or use suitable connectors with sealing compound to extend the cable.

In case of high mechanical stress, the cable to the luminaire must be laid in a protective conduit. Connect the individual conductors to the power supply units in accordance with the regulations.

The maximum number of projectors is indicated in the power supply manual.

4. Connection to power supplies/

Connection matrix

POW-LED spotlights may only be connected in series. If necessary, the series connection must be carried out in separate distribution boxes, the exterior of which must also be protected against moisture using a sealing compound.

5. General maintenance instructions - When cleaning, the projector should not come into contact with detergents that are aggressive against metals.

The use of hydrochloric acid-based detergents on and near stainless steel projector parts is strictly prohibited.

- Clean the projector and mounting box regularly to avoid any oxidation deposits.
- Caution: do not use a high-pressure cleaner.
- Caution: Protect the projectors from frost; if necessary, dismantle them or ensure a special protection.
- Lost screws should only be replaced with 316L stainless steel screws.
- Depending on the load (power, environmental circumstances), it is recommended to change the seals (on the windows, screwed connections and O-rings) and the cable every 5 to 8 years.

6. Warranty conditions

Our warranty conditions can be found on the corresponding product warranty card and at eclairx.com.

7. Important Notes (The warranty is void if the following points are not observed)

- The absence of transport damage must be checked before installation!
- All assembly and installation work, as well as electrical work, must be carried out by qualified personnel.
- To avoid danger, a damaged external flexible cable of the projector can only be replaced by the manufacturer, its service representative or a qualified specialist.
- The light source of this product may only be replaced by the manufacturer or a service technician designated by the manufacturer or by a person with comparable qualifications.
- To avoid rust build-up, use only stainless steel tools!
- The cable length of the lamps must be chosen so that it is not necessary to extend it in water or in a humid environment. Any subsequent complaints on this basis will not be accepted.
- Only original ECLAIX equipment must be used.
- The equipment must be connected without current, otherwise discharges in the power supply unit could cause damage to the LEDs. No primary voltage must be established when changing the LEDs.
- When connecting the lamps, observe the polarity! Incorrect polarity can damage the LED module.
- Installation of surge protection by the customer in accordance with DIN VDE 0100-443, DIN VDE 0100-534 and EN 62305 is recommended.
- Please observe measures against electrostatic discharge during all work on projectors, equipment and LEDs.